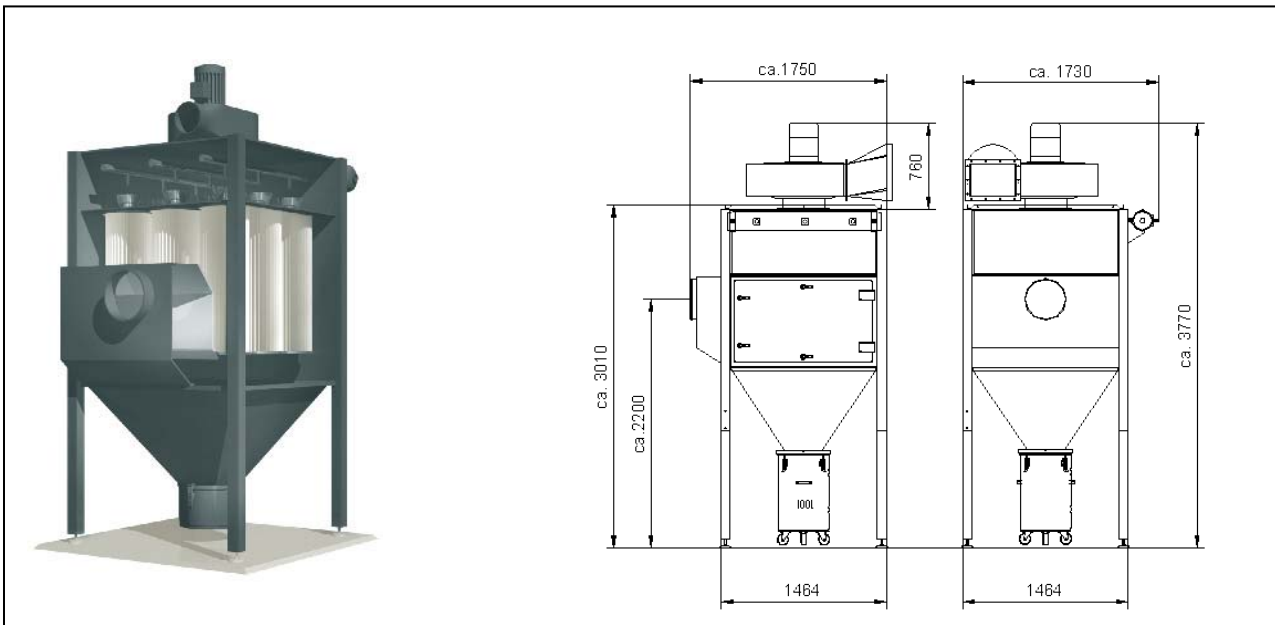


# DUSTMAC P-90

(661.090)

Voltage	(V)	400	Filter surface	(m <sup>2</sup> )	90
Motor	(kW)	7,5	No. of filter elements	(pc)	9
Ampere (400V/50Hz)	(A)	13,8	Filter material	dust classification "M" antist.	
Rated Frequency	(Hz)	50	Weight	(kg)	840
Fuse	(A)	16	Intake	(mm)	355
Max. neg. pressure	(Pa)	3.800	Clean air discharge	(mm)	450
Max. airflow	(m <sup>3</sup> /h)	9.700	Dimensions (l x w x h)	(mm)	1.900 x 1.880 x 3.770
No. of magnet valves	(pc)	3	Dust collection bin	(litre)	100
Sound power level	(dB)	83	Compressed air	(l/min)	(at 6 bar) 276



## ESTA PLUS

### Application range:

Central systems with multiple extraction locations at dust-producing machines  
For the extraction of dry, free flowing, non-explosive dust

### Your benefits at a glance

Modular for future expansion  
Customized design by ESTA personnel

### Characteristics:

Pulse-jet filter cleaning system  
Cleanable long life cartridge filters of dust classification M

### Special equipment:

- with special painting
- continuously electrically conductive
- extended feet
- further special versions available on request

State of the art: 661090-51-02 Subject to change without notice! For remaining questions please do not hesitate to contact us.